

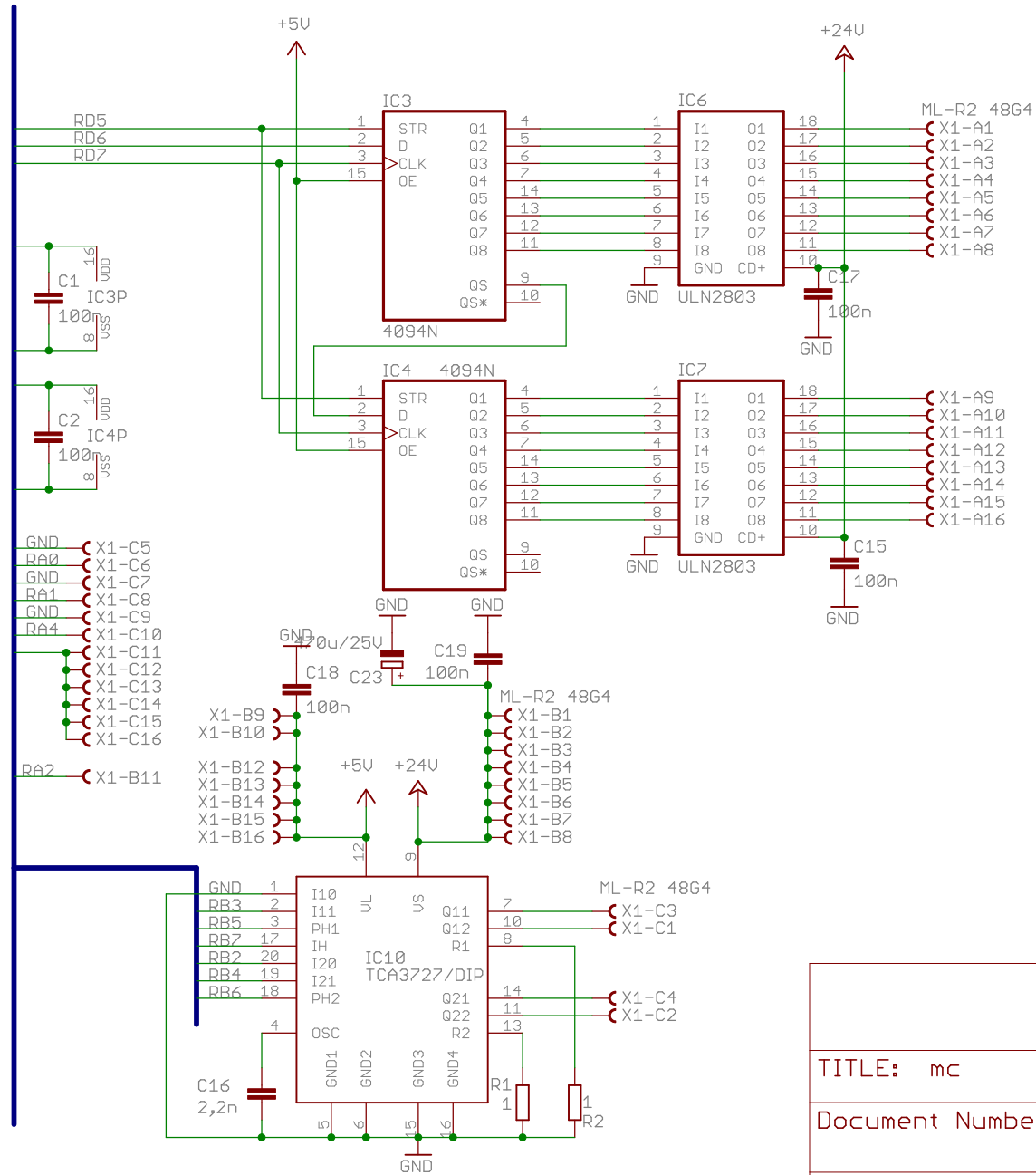
TITLE: mc

Document Number:

REV:

Date: 05.02.13 09:04

Sheet: 1/2



TITLE: mc

Document Number:

REV:

Date: 05.02.13 09:04

Sheet: 2/2