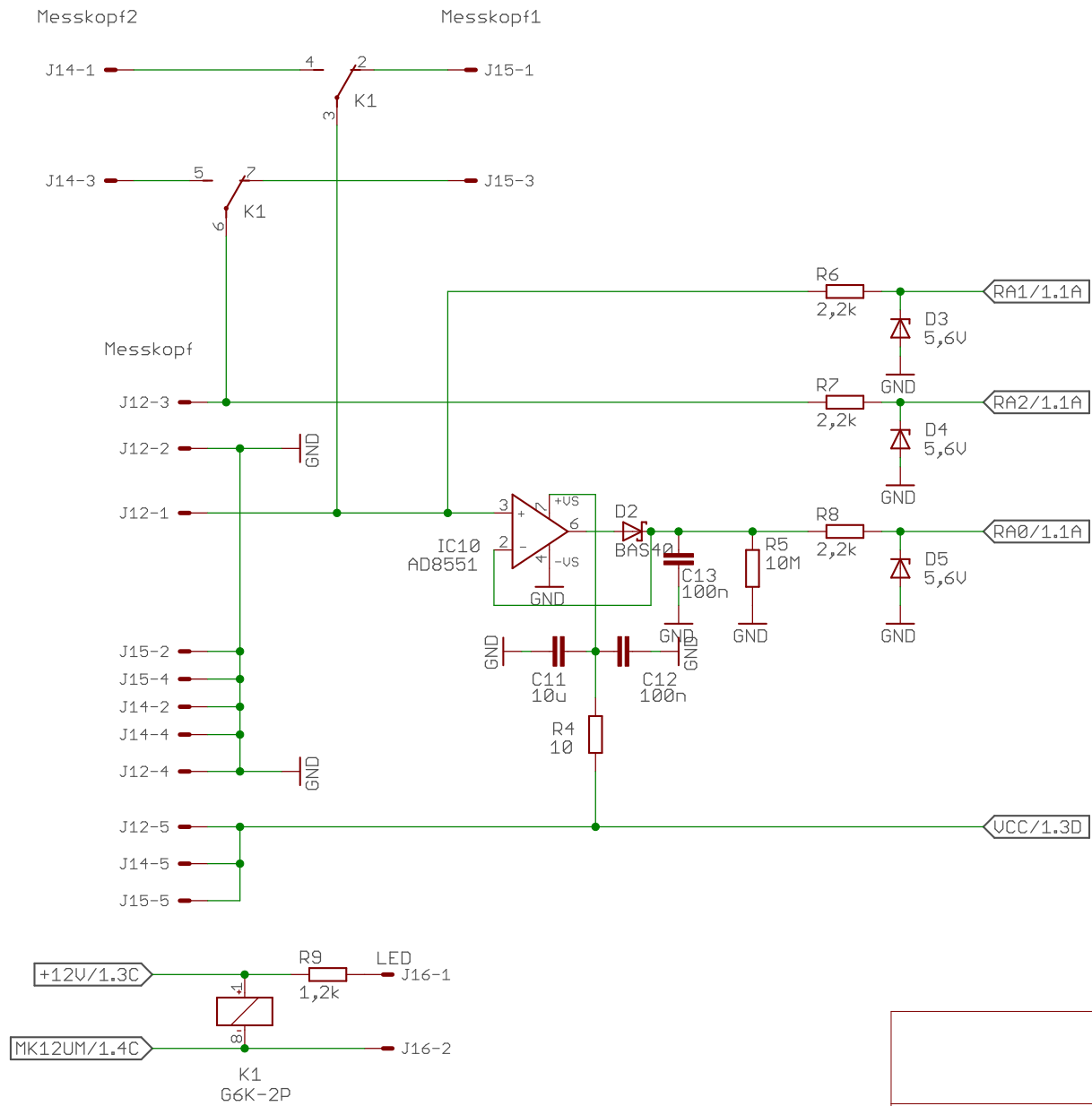


TITLE: mc\_hw1\_04

Document Number: \_\_\_\_\_ REV: \_\_\_\_\_

Date: 17.04.19 11:04

Sheet: 1/2



TITLE: mc_hw1_04	
Document Number:	REV:
Date: 17.04.19 11:04	Sheet: 2/2